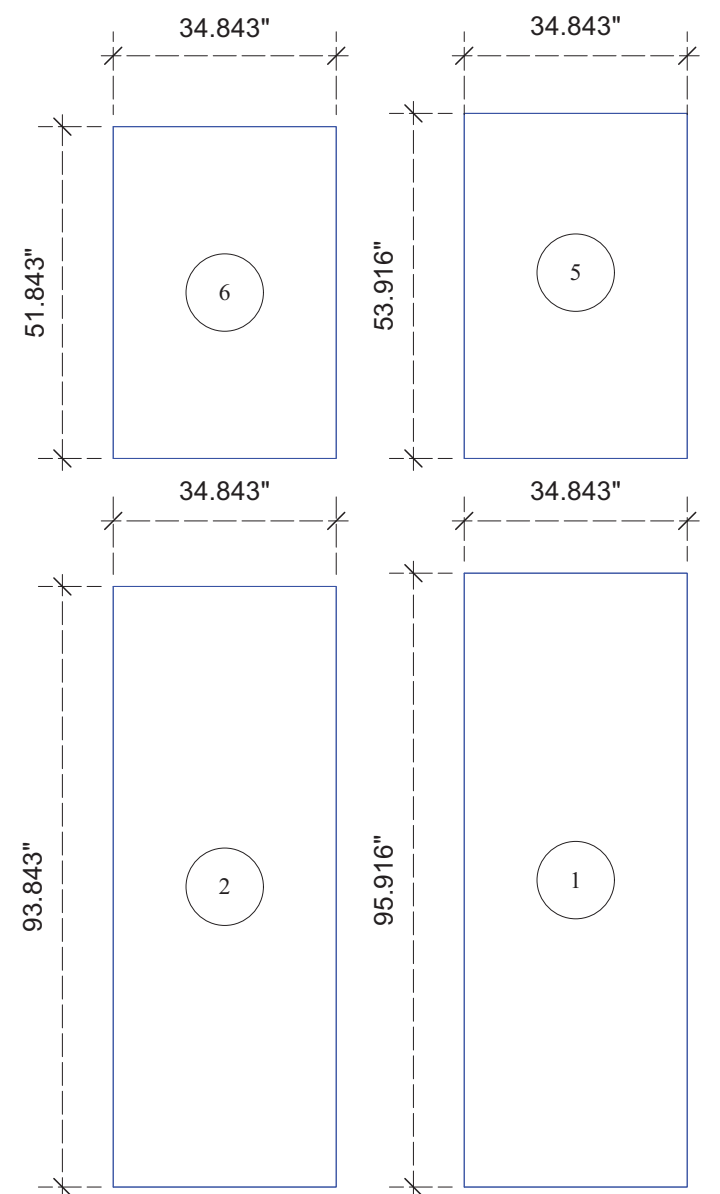
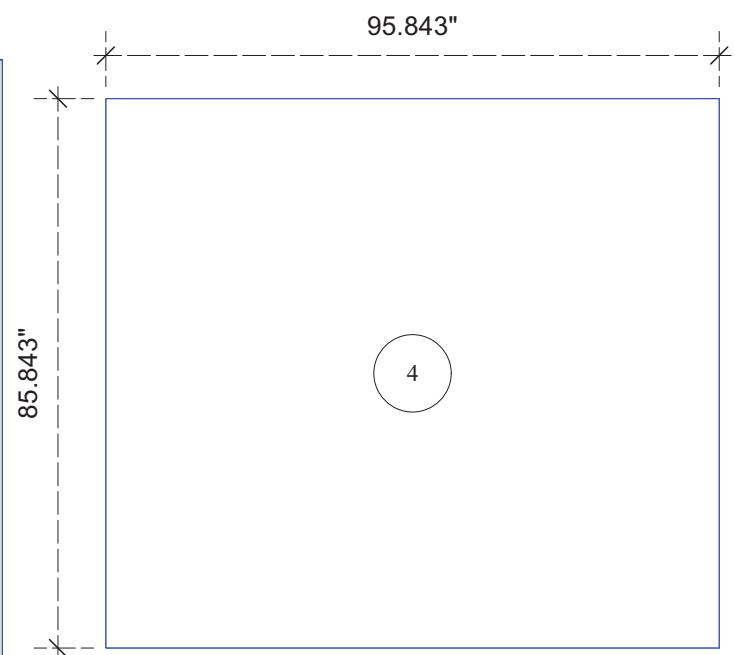
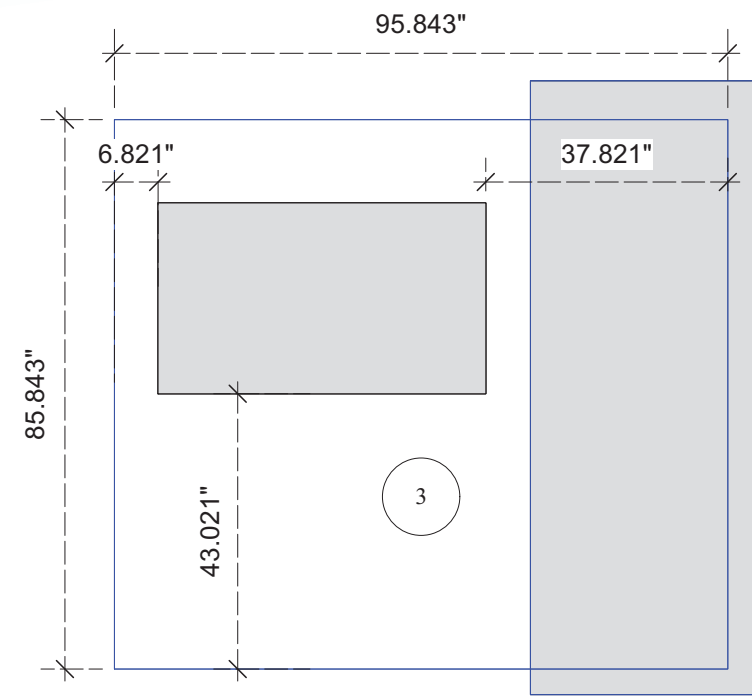
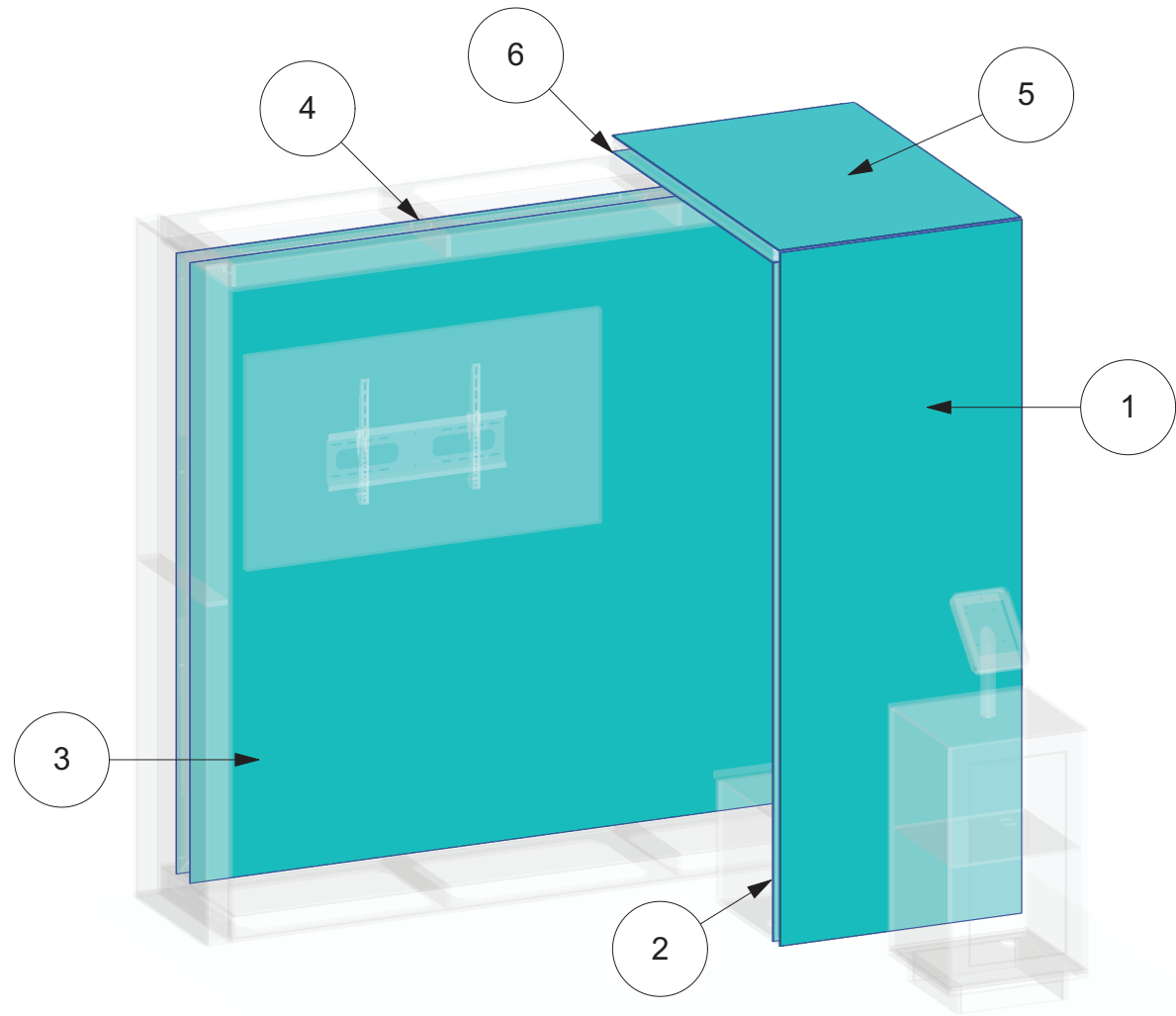


Classic Exhibits



SEG Live Area

Distributor Name:

Client Name:

Ph: 866.652.2100
Fx: 503.652.7084

Prepared By: Khamza B.

Date: Thu, Feb 3, 2022

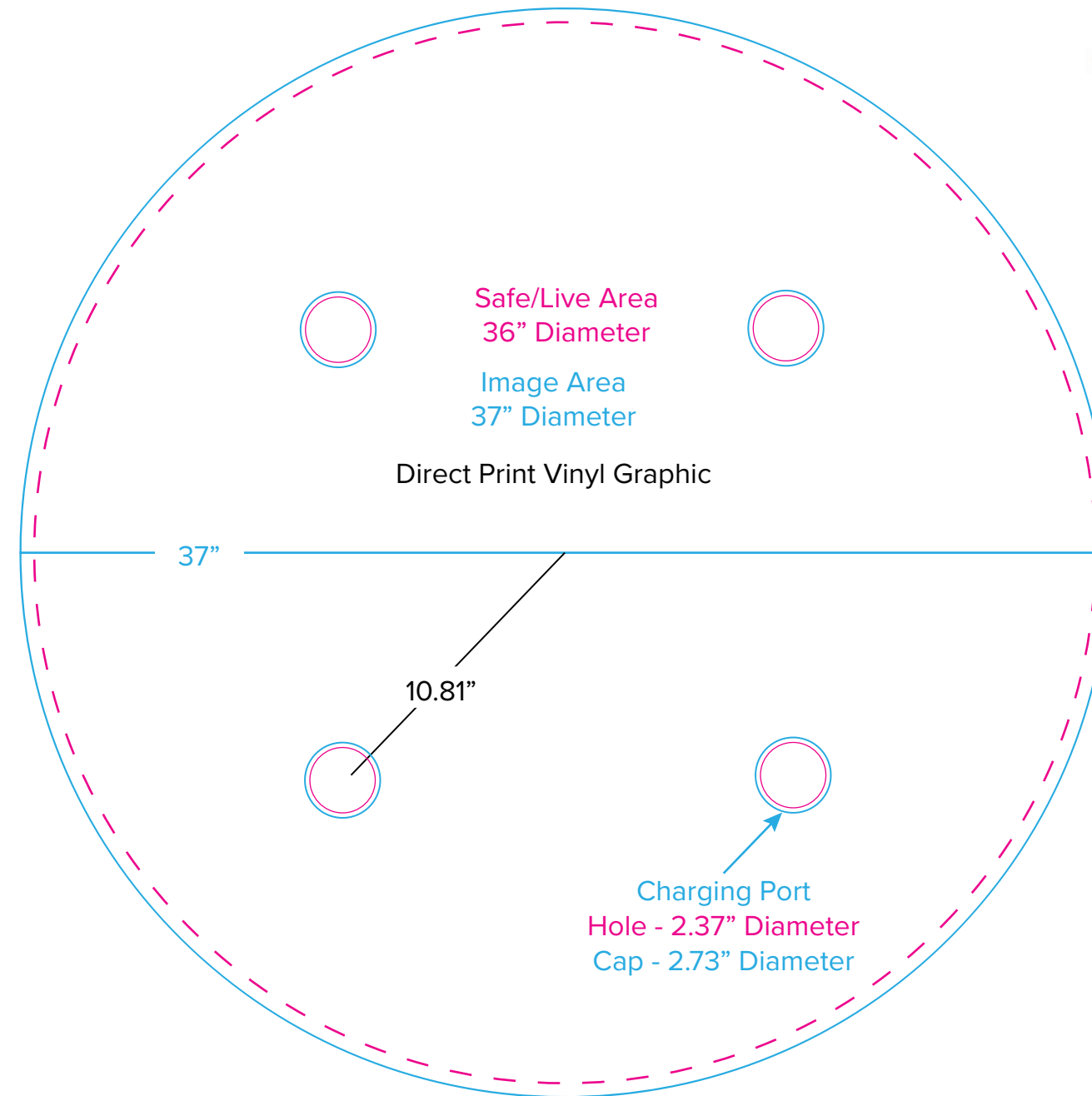
VK-1356.wvx

ASME B

SHEET:

Sht-8

Graphic Template
Wireless Charging Coffee/Bistro Table
Direct Print Vinyl Graphic



NOTE: All Raster Art (jpg, tiff,psd, png, etc.) must be at least 100 dpi at print size.
Standard kits are often customized. Please check with Customer Service to ensure that this template matches your specific job.